

CAPACITIES

Max. capacity	4000 kg
Max. lifting height	7.60 m
Max. outreach	4.23 m

WEIGHT AND DIMENSIONS

Length to face of forks (l2)	4.67 m
Overall width (b1)	2.38 m
Overall height (h17)	2.59 m
Wheelbase (y)	2.58 m
Ground clearance (m4)	0.37 m
Overall cab width (b4)	0.85m
Tilt-up angle (a4)	12 °
Tilt-down angle (a5)	134 °
External turning radius (over tyres) (Wa1)	3.90 m
Unladen weight (with forks)	8525 kg
Unladen weight	8145 kg
Tires type	Inflatable
Standard tires	BKT 16.0/70-20 14PR- EM936 SPL
Forks length / width / section (l / e / s)	1200 x 125 x 50 mm

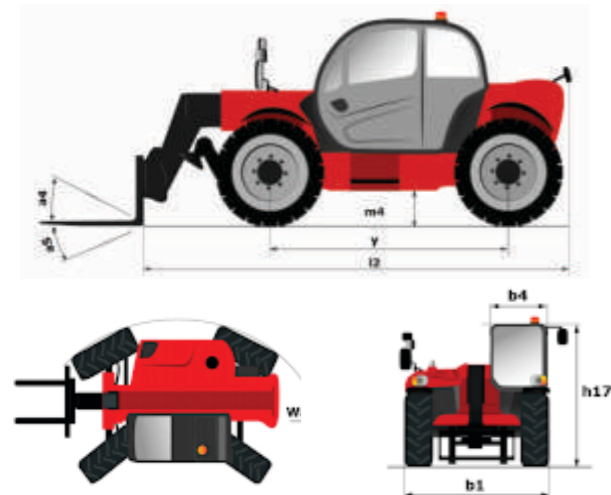
PERFORMANCES

Lifting	13 s
Lowering	9 s
Extension	9 s
Retraction	5 s
Scoop	5 s
Dump	4 s

ENGINE

Engine brand	Kirloskar
Engine norm	BS-V
Engine model	4R1190THT BSV
Number of cylinders / Capacity of cylinders	4 - 4760 cm ³
I.C. Engine power rating - Power	74.50 Hp / 54.80 KW
Max. torque / Engine rotation	400 Nm @ 1200 rpm
Drawbar pull (Laden)	8300 daN

MXT 840 K BSV - DIMENSIONAL DRAWING



TRANSMISSION

Transmission type	Torque converter with manual transmission
Number of gears (forward / reverse)	4 / 4
Max. travel speed	26 km/h
Parking brake	Manual
Service brake	Oil-immersed multi-discs braking on front & rear axles

HYDRAULICS

Hydraulic pump type	Gear type with 2 section body
Hydraulic flow / Pressure	91.40 l/min-250 bar

TANK CAPACITIES

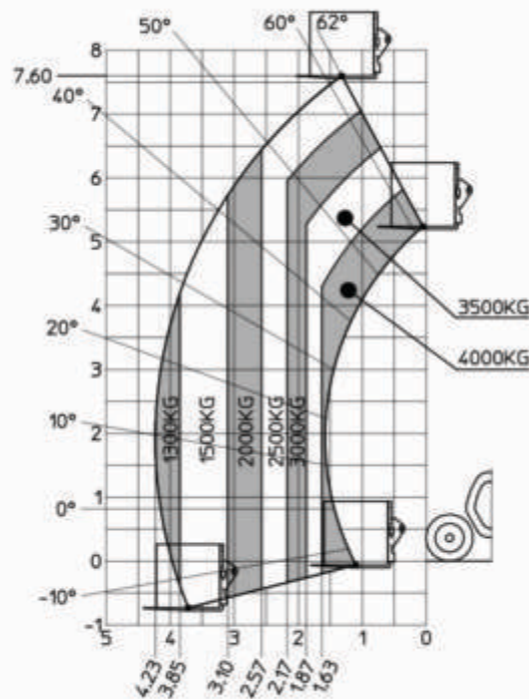
Engine oil	9.50 l
Hydraulic oil	120 l
Fuel tank	100 l

NOISE AND VIBRATION

Noise at driving position (LpA)	85 dB
Noise to environment (LwA)	110 dB
Vibration on hands/arms	< 2.50 m/s ²

MISCELLANEOUS

Steering wheels (front / rear)	2 / 2
Drive wheels (front / rear)	2 / 2
Safety / Safety cab homologation	Standard EN 15000 / Cabin ROPS - FOPS level 2
Controls	Monolever



MANITOU
HANDLING YOUR WORLD

MXT 840

STRONG ENOUGH TO HANDLE ANYTHING



Effective Date: July 2025. All dimensions, weights & timings are variable within 1.5%. Company reserves the right to change specifications without prior notice. The illustration do not necessarily show the standard version of the machine. Product specifications & prices are subject to change without notice or obligation. The photographs and/or drawings in this document are for illustrative purposes only. Refer to the appropriate Operator's Manual for instruction on the proper use of this equipment. Failure to follow the appropriate Operator's Manual when using our equipment or to otherwise act irresponsibly may result in serious injury or death. The only warranty applicable to our equipment is the standard written warranty applicable to the particular product & sale & we make no other warranty, express or implied.

MANITOU
HANDLING YOUR WORLD

MANITOU SOUTH ASIA PRIVATE LIMITED,

Regd. Office: Ground Floor, Plot- B-1, Block- B-1

Mohan Cooperative Industrial Estate, Mathura Road, New Delhi-110044.

Email: info.mind@manitou-group.com, Web: www.manitou.com

Call Toll-Free 1800 103 7600 For Raising Your All Queries

Follow us for new updates



Your Dealer

BHARAT
BUILT
FOR THE WORLD

Engine Power 74.5 hp
Max. Capacity 4000 kg
Max. Lift Height 7.60 m
Max. Outreach 4.23 m
Powered by BSV Engine



MANITOU MXT- RAISING THE BAR EVERYDAY

Short turning radius of 3.9 m provides superior maneuverability in tight spaces

One machine, three ways to outperform with 3 steering modes (4WS, 2WS, crab steering)

The new diesel tank capacity of 100L reduces the fuel top-up frequency.

A LEGACY OF 66 YEARS

From the invention of the first all-terrain forklift truck to designing, manufacturing, distributing, and servicing different equipment for construction, agriculture, and industry sectors, we have been there to handle it all.

Today, our product range includes fixed all-terrain telescopic forklifts, compact wheeled and tracked skid-steers, backhoe loaders, scissor lifts, and different accessories. With **1050 dealers in 140 countries**, we continued evolving and innovating to offer the best solution for our customers.

INVEST IN LONG-TERM GAINS

- 1 **1 years/ 2000 hours**
We focus on optimizing your total cost of ownership by designing high-performance, durable, and cost-efficient machines tailored to your needs.
- 2 **Low Maintenance Cost**
Our efficient gear-driven water pump eliminates the need for belts, reducing risks and improving durability. Additionally, the streamlined front axle sub-assembly ensures enhanced reliability and minimizes maintenance costs.
- 3 **Improved serviceability**
The machine layout has been optimized to provide easy access to all main components facilitating better service.

MAXIMUM IMPRESSIVE
LIFT HEIGHT OF
8M
AND LOADING
CAPACITY OF 4000KG

HARAT
BUILT
FOR THE WORLD

Continuing our legacy of delivering world-class quality and innovation, Manitou brings the best of Indian engineering to drive global innovation and shape the future. With fuel efficiency, smart technology, and eco-friendly solutions, our BSV Engine machines are ready to take on the world, redefining what Manitou machines can achieve.



HOW DO MANITOU TELEHANDLERS MAKE A DIFFERENCE?

Performance

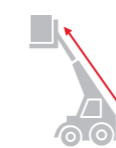
Works well in all conditions, the Manitou Telehandler is an all-terrain machine that can work on a **47% slope gradient**. With a **turning radius of 3.9m**, **4 steering wheels** with **3 steering modes** improve performance & save time.



• Load and Unload with speed and precision



• Go Beyond Limits with **7.6m lift height** and **4.23m working outreach**



• Ready for Every Task with assortments like jibs, cranes, and forks



• Built to Handle More up to **4 tonnes** with absolute confidence



Strength

The cab interiors and mudguards are crafted from durable materials, ensuring exceptional robustness and longevity for the machine. Built to Level II ROPS/FOPS standards, the cab guarantees superior safety. The axles are equipped with oil-bathed multi-disc brakes for reliable performance, while other components are sourced from trusted, renowned suppliers, ensuring easy availability and quality assurance.

Productivity

Enhance your productivity with a versatile range of attachments designed to perform efficiently in diverse conditions. The four-speed gearbox lets you optimize speed for maximum output, while the **My Manitou** app brings convenience to your fingertips. Monitor live machine data and streamline your operations effortlessly, all from your phone.

Safety

The machine can load up to 2.5 tonnes at 7.6 m height very safely. Manitou telehandlers are equipped with a variety of safety features designed to protect both the operator and those nearby. Features like load sensors, Hydraulic cut off, and seat sensor will keep you and the machine both safe in tough environment.

myMANITOU
mobile app



Machine information
Found your: location, fuel and consumptions datas...



Data analytics
See your energy consumption, CO² emissions and track the operational hours of your equipment.



Set notifications
For geofence, fuel level



Share it with a teammate
Share your equipment and associated documentation.



Documentations & videos
Familiarize yourself with your machine and operate safely.



Contact your dealer
Expert advice at your fingertips.



What for?

- Easy-to-use for simpler day-to-day operations:
- Monitor your machines
 - Configure notifications (fuel, geofence)
 - Access documentation & videos

How to access info from a connected machine?

Simply send a pairing request to your dealer by entering your machine's number directly in the app.